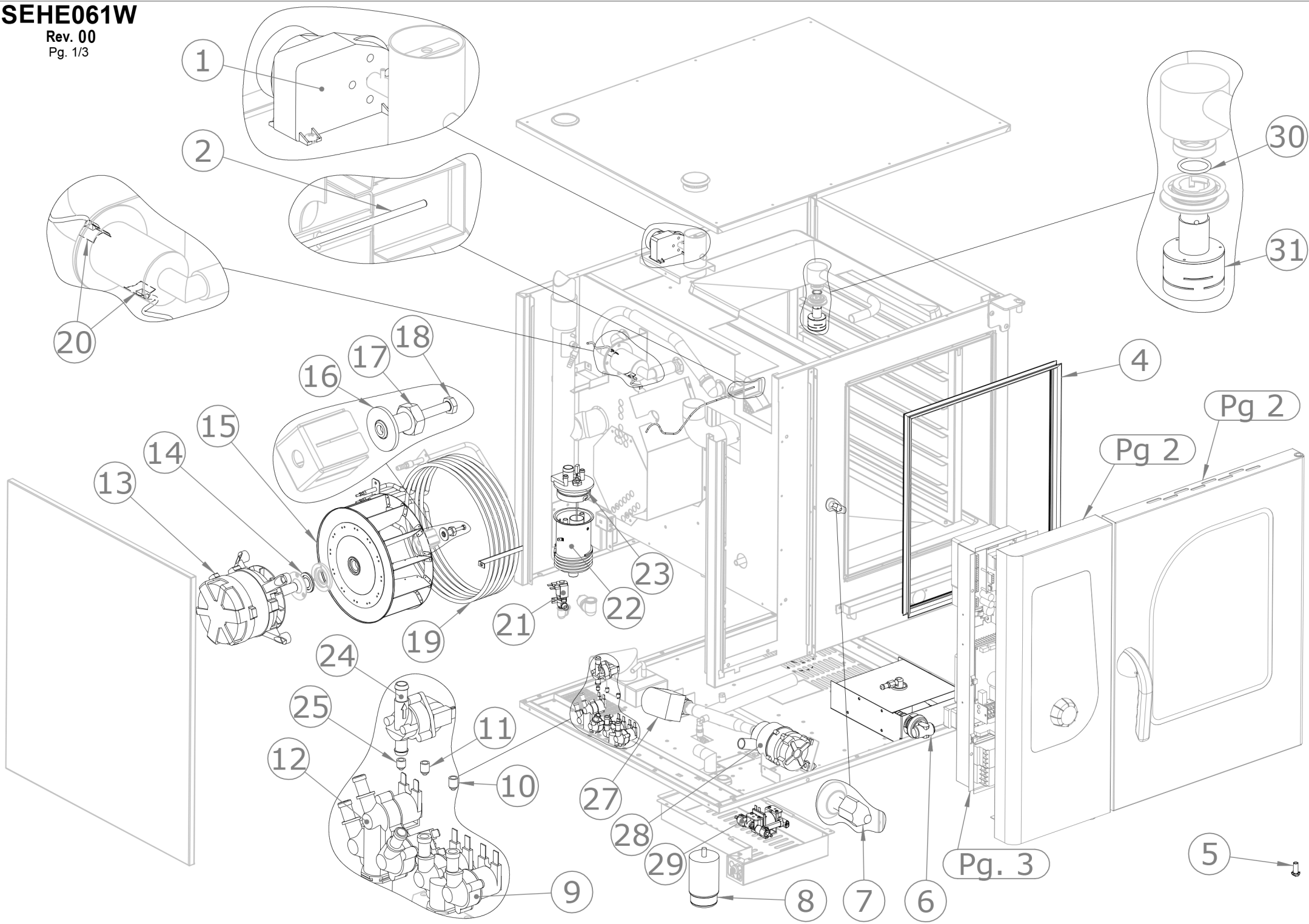


# SEHE061W

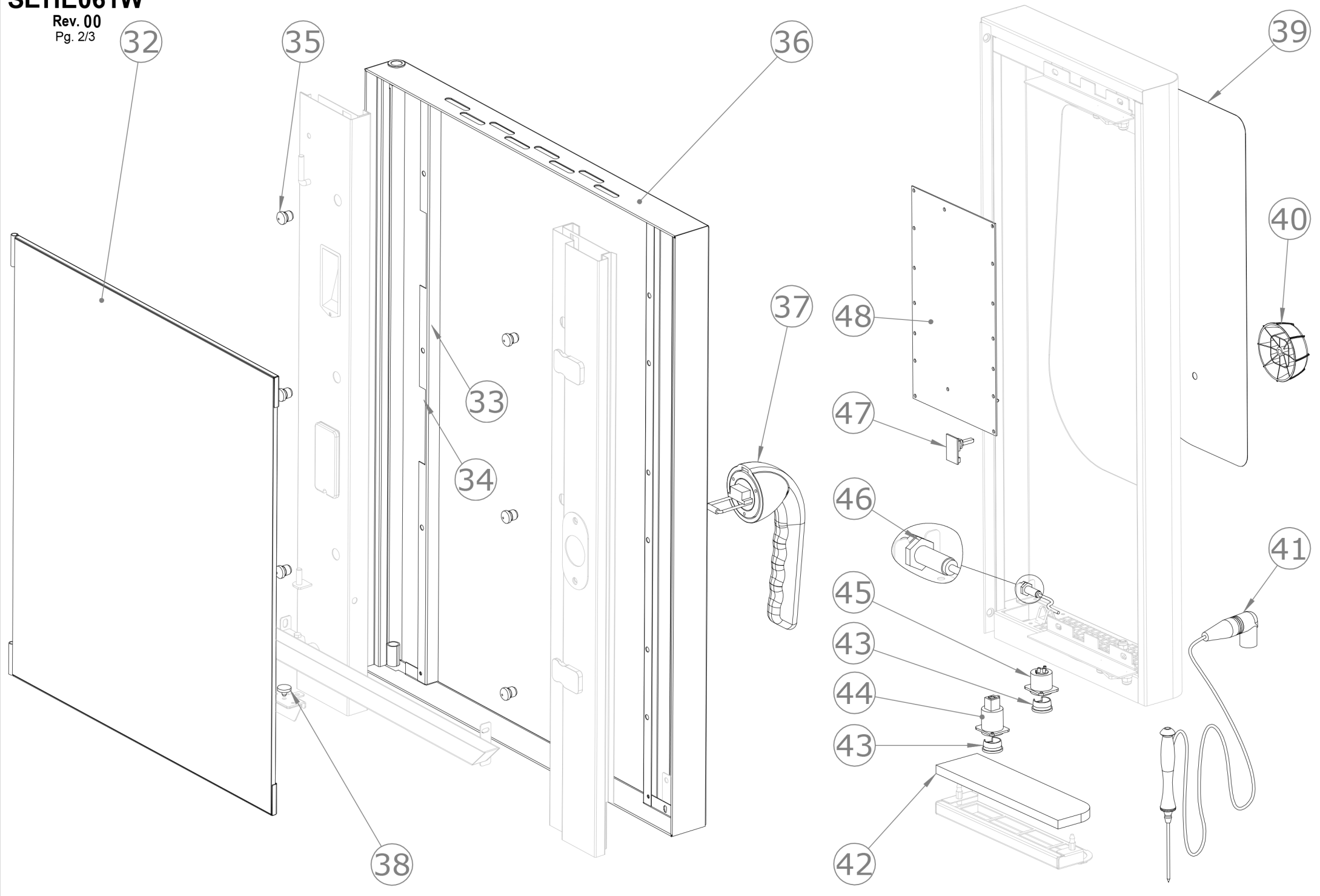
Rev. 00

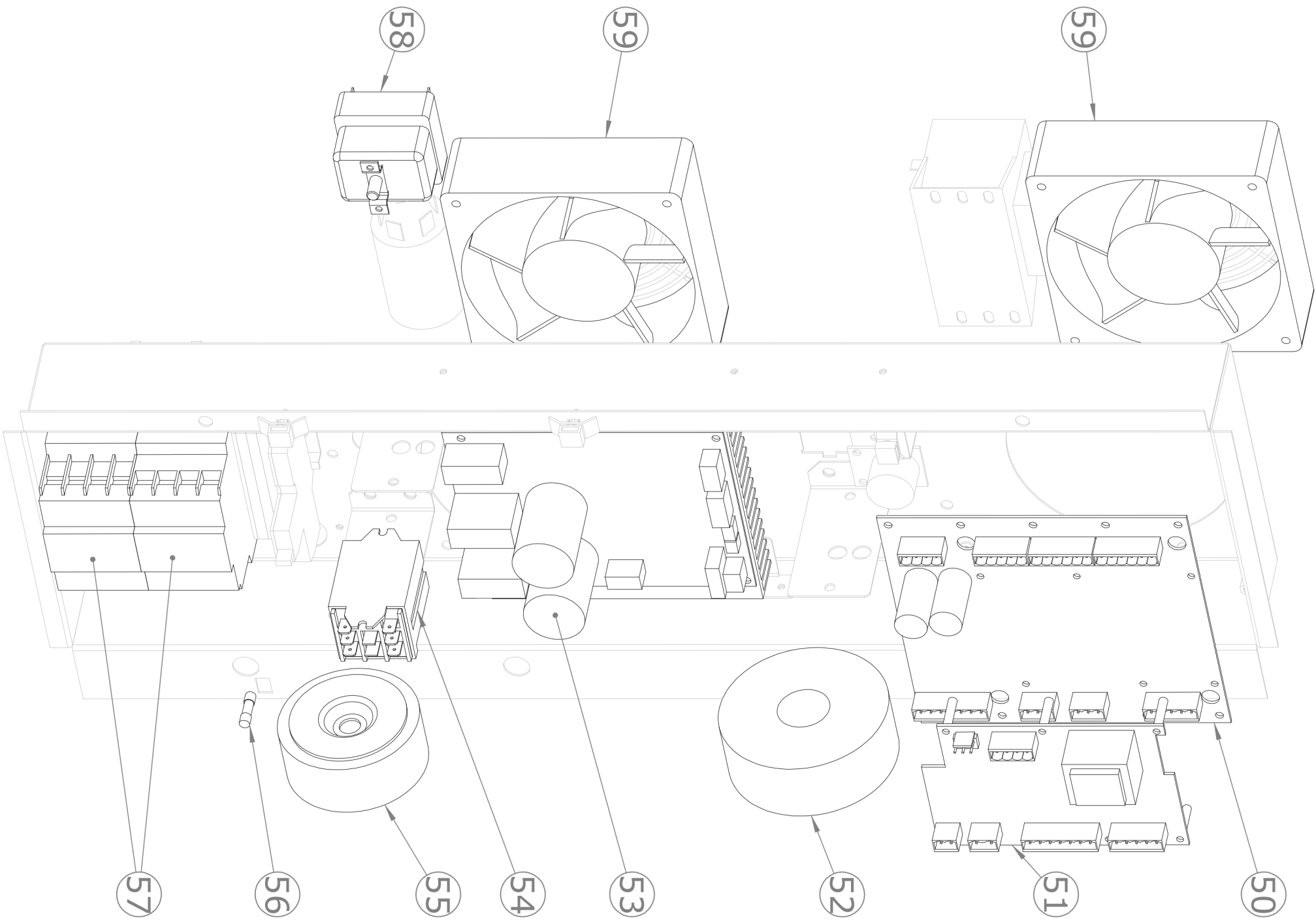
Pg. 1/3



# SEHE061W

Rev. 00  
Pg. 2/3





| POS. | ITA                                | CODICE  | VALID. | SCAD. |
|------|------------------------------------|---------|--------|-------|
| 1    | Motorino per valvola               | 6031013 |        |       |
| 2    | Sonda di temperatura               | 6000093 |        |       |
| 3    | Tappo per lavaggio boiler          | 2022424 |        |       |
| 4    | Guarnizione nera forno             | 7070223 |        |       |
| 5    | Perno inferiore per porta          | 2015648 |        |       |
| 6    | Doccetta retraibile                | 7080051 |        |       |
| 7    | Nasello per chiusura               | 5900124 |        |       |
| 8    | Piedino regolabile                 | 5900699 |        |       |
| 9    | Elettrovalvola acqua addolcita     | 6042103 |        |       |
| 10   | Ugello tubo umidificatore          | 6042095 |        |       |
| 11   | Ugello per boiler                  | 6042091 |        |       |
| 12   | Elettrovalvola acqua non addolcita | 6042080 |        |       |
| 13   | Motore 3ph 0,55kW                  | 6033151 |        |       |
| 14   | Guarnizione albero motore          | 7070151 |        |       |
| 15   | Ventola forno 270x113              | 5901015 |        |       |
| 16   | Rondella per motore                | 2013134 |        |       |
| 17   | Vite per motore M12                | 2013133 |        |       |
| 18   | Vite per motore M6x55 UNI5739 inox | 5114014 |        |       |
| 19   | Resistenza 10000 W                 | 6002122 |        |       |
| 20   | Sonda per controllo umidità        | 6000111 |        |       |
| 21   | Elettrovavola scarico boiler       | 6042077 |        |       |
| 22   | Boiler                             | 6003902 |        |       |
| 23   | Guarnizione per boiler             | 6090165 |        |       |
| 24   | Contaltri                          | 6042122 |        |       |
| 25   | Ugello per lavaggio automatico     | 6042087 |        |       |
| 27   | Elettrovavola scarico forno        | 6042073 |        |       |
| 28   | Pompa per lavaggio                 | 6042120 |        |       |
| 29   | Pompa detergente                   | 6042124 |        |       |
| 30   | Guarnizione O-ring per diffusore   | 6090160 |        |       |
| 31   | Diffusore per lavaggio             | 2019791 |        |       |
| 32   | Vetro serigrafato x forno ass.to   | 2024921 |        |       |
| 33   | Vetro per portalampada             | 2024940 |        |       |
| 34   | Portalampada Ass.to                | 2024942 |        |       |
| 35   | Distanziale per vetro D=15         | 2022543 |        |       |
| 36   | Porta completa di vetro            | 2024926 |        |       |
| 37   | Maniglia completa per porta        | 2025009 |        |       |
| 38   | Tappo per bacinella                | 2012707 |        |       |
| 39   | Pannello poliester serigrafato     | 2024730 |        |       |
| 40   | Manopola per encoder               | 2024892 |        |       |
| 41   | Sonda spillone                     | 6000120 |        |       |
| 42   | Filtro aria                        | 2026075 |        |       |
| 43   | Tappo per connettore               | 6060029 |        |       |
| 44   | Porta USB 2.0                      | 6060030 |        |       |
| 45   | Connettore per sonda spillone      | 6000122 |        |       |
| 46   | Sensore magnetico                  | 6042110 |        |       |
| 47   | Encoder push                       | 6010133 |        |       |
| 48   | Scheda tastiera                    | 6010159 |        |       |
| 50   | Scheda base forno                  | 6010151 |        |       |
| 51   | Scheda espansione boiler           | 6010153 |        |       |
| 52   | Trasformatore luci                 | 6041099 |        |       |
| 53   | Inverter motore                    | 6010131 |        |       |
| 54   | Relé di potenza                    | 6041008 |        |       |
| 55   | Trasformatore 230V/12+12V AC       | 6041100 |        |       |
| 56   | Fusibile 10A                       | 6060111 |        |       |
| 57   | Contattore                         | 6046033 |        |       |
| 58   | Termostato di sicurezza            | 6010008 |        |       |
| 59   | Ventilatore                        | 6033175 |        |       |

| POS. | GB  | CODICE  | VALID. | SCAD. |
|------|---|---------|--------|-------|
| 1    | Motor for valve                                 | 6031013 |        |       |
| 2    | Temperature probe                               | 6000093 |        |       |
| 3    | Cap for boiler washing                          | 2022424 |        |       |
| 4    | Black oven seal                                 | 7070223 |        |       |
| 5    | Lower spindle for door                          | 2015648 |        |       |
| 6    | Retractable hand spray                          | 7080051 |        |       |
| 7    | Locking dog                                     | 5900124 |        |       |
| 8    | Adjustable foot                                 | 5900699 |        |       |
| 9    | Solenoid valve for softened water supply        | 6042103 |        |       |
| 10   | Nozzle for humidifying pipe                     | 6042095 |        |       |
| 11   | Nozzle for boiler                               | 6042091 |        |       |
| 12   | Solenoid valve for main water supply            | 6042080 |        |       |
| 13   | Motor 3ph 0,55kW                                | 6033151 |        |       |
| 14   | Motor shaft seal                                | 7070151 |        |       |
| 15   | Oven fan 270x113                                | 5901015 |        |       |
| 16   | Washer for motor                                | 2013134 |        |       |
| 17   | Motor screw M12                                 | 2013133 |        |       |
| 18   | Motor screw M6x55 UNI5739 inox                  | 5114014 |        |       |
| 19   | Heating element 10000 W                         | 6002122 |        |       |
| 20   | Umidity probe                                   | 6000111 |        |       |
| 21   | Solenoid drain valve boiler                     | 6042077 |        |       |
| 22   | Boiler  | 6003902 |        |       |
| 23   | Gasket for boiler                               | 6090165 |        |       |
| 24   | Flow meter                                      | 6042122 |        |       |
| 25   | Nozzle for washing system                       | 6042087 |        |       |
| 27   | Oven drain solenoid valve                       | 6042073 |        |       |
| 28   | Pump for washing system                         | 6042120 |        |       |
| 29   | Detergent pump                                  | 6042124 |        |       |
| 30   | O-ring for diffuser washing system              | 6090160 |        |       |
| 31   | Diffuser washing system                         | 2019791 |        |       |
| 32   | Screen-printed glass panel for oven (assembled) | 2024921 |        |       |
| 33   | Glass holder                                    | 2024940 |        |       |
| 34   | Lamp Holder                                     | 2024942 |        |       |
| 35   | Galss spacer                                    | 2022543 |        |       |
| 36   | Complete door with glass                        | 2024926 |        |       |
| 37   | Complete Door Handle                            | 2025009 |        |       |
| 38   | Caps for basin                                  | 2012707 |        |       |
| 39   | Polyester silkscreened panel                    | 2024730 |        |       |
| 40   | Knob for encoder                                | 2024892 |        |       |
| 41   | Core probe                                      | 6000120 |        |       |
| 42   | Air Filter                                      | 2026075 |        |       |
| 43   | Cap for connector                               | 6060029 |        |       |
| 44   | USB 2.0   | 6060030 |        |       |
| 45   | Core probe connector                            | 6000122 |        |       |
| 46   | Magnetic sensor                                 | 6042110 |        |       |
| 47   | Encoder push                                    | 6010133 |        |       |
| 48   | Oven Keyboard                                   | 6010159 |        |       |
| 50   | Oven main board                                 | 6010151 |        |       |
| 51   | Boiler expansion board                          | 6010153 |        |       |
| 52   | Light trasformer                                | 6041099 |        |       |
| 53   | Inverter for motor                              | 6010131 |        |       |
| 54   | Power relay                                     | 6041008 |        |       |
| 55   | Trasformer 230V/12+12V AC                       | 6041100 |        |       |
| 56   | Fuse 10A  | 6060111 |        |       |
| 57   | Contactore                                      | 6046033 |        |       |
| 58   | Safety thermostat                               | 6010008 |        |       |
| 59   | Fan   | 6033175 |        |       |

| POS. | F                                      | CODICE  | VALID. | SCAD. |
|------|--|---------|--------|-------|
| 1    | Demarreur pour vanne                   | 6031013 |        |       |
| 2    | Sonde de température                   | 6000093 |        |       |
| 3    | Bouchon pour le lavage du boiler       | 2022424 |        |       |
| 4    | Joint noir pour four                   | 7070223 |        |       |
| 5    | Pivot inférieur pour porte             | 2015648 |        |       |
| 6    | Douchette rétractable                  | 7080051 |        |       |
| 7    | Gâche d'arrêt                          | 5900124 |        |       |
| 8    | Pied réglable                          | 5900699 |        |       |
| 9    | Électrovanne d'eau adoucie             | 6042103 |        |       |
| 10   | Injecteur pour tube de humidification  | 6042095 |        |       |
| 11   | Injecteur pour boiler                  | 6042091 |        |       |
| 12   | Électrovanne d'eau de reseau           | 6042080 |        |       |
| 13   | Moteur 3ph 0,55kW                      | 6033151 |        |       |
| 14   | Joint arbre moteur                     | 7070151 |        |       |
| 15   | Ventilateur four 270x113               | 5901015 |        |       |
| 16   | Rondelle moteur                        | 2013134 |        |       |
| 17   | Vis pour moteur M12                    | 2013133 |        |       |
| 18   | Vis pour moteur M6x55 UNI5739 inox     | 5114014 |        |       |
| 19   | Résistance 10000 W                     | 6002122 |        |       |
| 20   | Sonde contrôle humidité                | 6000111 |        |       |
| 21   | Vidange boiler électrovanne            | 6042077 |        |       |
| 22   | Boiler                                 | 6003902 |        |       |
| 23   | Joint pour boiler                      | 6090165 |        |       |
| 24   | Débitmètre                             | 6042122 |        |       |
| 25   | Injecteur pour système de lavage       | 6042087 |        |       |
| 27   | Vidanger four électrovanne             | 6042073 |        |       |
| 28   | Pompe pour système de lavage           | 6042120 |        |       |
| 29   | Pompe détergent                        | 6042124 |        |       |
| 30   | Joint o-ring pour système de lavage    | 6090160 |        |       |
| 31   | Douchette pour système de lavage       | 2019791 |        |       |
| 32   | Vitre sérigraphiée x chambre assemblée | 2024921 |        |       |
| 33   | Verre pour douille de lampe            | 2024940 |        |       |
| 34   | Porte-lampe                            | 2024942 |        |       |
| 35   | Verre entretoise                       | 2022543 |        |       |
| 36   | Porte avec vitre                       | 2024926 |        |       |
| 37   | Poignée de porte complet               | 2025009 |        |       |
| 38   | Bouchon pour bassin                    | 2012707 |        |       |
| 39   | Panneau en polyester sérigraphié       | 2024730 |        |       |
| 40   | Bouton pour encodeur                   | 2024892 |        |       |
| 41   | Sonde à coeur                          | 6000120 |        |       |
| 42   | Filtre à air                           | 2026075 |        |       |
| 43   | Cap pour connecteur                    | 6060029 |        |       |
| 44   | USB 2.0                                | 6060030 |        |       |
| 45   | Connecteur de la sonde au coeur        | 6000122 |        |       |
| 46   | Capteur magnétique                     | 6042110 |        |       |
| 47   | Encoder push                           | 6010133 |        |       |
| 48   | Clavier four                           | 6010159 |        |       |
| 50   | Carte four base                        | 6010151 |        |       |
| 51   | Carte d'extension pour boiler          | 6010153 |        |       |
| 52   | Trasformateur éclairage chambre        | 6041099 |        |       |
| 53   | Variateur pour moteur                  | 6010131 |        |       |
| 54   | Relais de puissance                    | 6041008 |        |       |
| 55   | Trasformateur 230V/12+12V AC           | 6041100 |        |       |
| 56   | Fusible 10A                            | 6060111 |        |       |
| 57   | Contacteur                             | 6046033 |        |       |
| 58   | Thermostat de sécurité                 | 6010008 |        |       |
| 59   | Ventilateur                            | 6033175 |        |       |

| POS. | D                                    | CODICE  | VALID. | SCAD. |
|------|--------------------------------------|---------|--------|-------|
| 1    | Motorventil                          | 6031013 |        |       |
| 2    | Temperatursensor                     | 6000093 |        |       |
| 3    | Stecker für Wasch-Kessel             | 2022424 |        |       |
| 4    | Schwarzdichtung für Ofen             | 7070223 |        |       |
| 5    | Untere stift für tür                 | 2015648 |        |       |
| 6    | Einziehbare Handbrause               | 7080051 |        |       |
| 7    | Schließkloben Rastung                | 5900124 |        |       |
| 8    | Verstellbarfusse                     | 5900699 |        |       |
| 9    | Magnetventil für enthaertetes Wasser | 6042103 |        |       |
| 10   | Düse für Befeuchter Tube             | 6042095 |        |       |
| 11   | Injektor für Kessel                  | 6042091 |        |       |
| 12   | Magnetventil für normales Wasser     | 6042080 |        |       |
| 13   | Motor 3ph 0,55kW                     | 6033151 |        |       |
| 14   | Dichtung Motorwelle                  | 7070151 |        |       |
| 15   | Ofenswedel 270x113                   | 5901015 |        |       |
| 16   | Motorscheibe                         | 2013134 |        |       |
| 17   | Motorschraube M12                    | 2013133 |        |       |
| 18   | Motorschraube M6x55 UNI5739 inox     | 5114014 |        |       |
| 19   | Heizelement 10000 W                  | 6002122 |        |       |
| 20   | Feuchtigkeitskontrollsonde           | 6000111 |        |       |
| 21   | Magnetventil fuer Kessel ablauf      | 6042077 |        |       |
| 22   | Kessel                               | 6003902 |        |       |
| 23   | Dichtung für Kessel                  | 6090165 |        |       |
| 24   | Durchflussmesser                     | 6042122 |        |       |
| 25   | Injektor für Waschanlage             | 6042087 |        |       |
| 27   | Magnetventil für Ofenablauf          | 6042073 |        |       |
| 28   | Pumpe für Waschanlage                | 6042120 |        |       |
| 29   | Waschmittel Pumpe                    | 6042124 |        |       |
| 30   | O-ring dictung für Waschanlage       | 6090160 |        |       |
| 31   | Diffusor für Waschen                 | 2019791 |        |       |
| 32   | Siebdruckglas für ofen               | 2024921 |        |       |
| 33   | Lampenglas                           | 2024940 |        |       |
| 34   | Lampenfassung                        | 2024942 |        |       |
| 35   | Glasabstandhalter                    | 2022543 |        |       |
| 36   | Tür komplett mit Glas                | 2024926 |        |       |
| 37   | Komplette Gentürgriff                | 2025009 |        |       |
| 38   | Stecker für Becken                   | 2012707 |        |       |
| 39   | Polyester Siebdruck-Panel            | 2024730 |        |       |
| 40   | Knebel für Encoder                   | 2024892 |        |       |
| 41   | Kerntemperaturfühler                 | 6000120 |        |       |
| 42   | Luftfilter                           | 2026075 |        |       |
| 43   | Kappe Probe-Anschluss                | 6060029 |        |       |
| 44   | USB Anschluss                        | 6060030 |        |       |
| 45   | Kerntemperaturfühler                 | 6000122 |        |       |
| 46   | Magnetsensor                         | 6042110 |        |       |
| 47   | Kodierer                             | 6010133 |        |       |
| 48   | Platine clavier                      | 6010159 |        |       |
| 50   | Platine base                         | 6010151 |        |       |
| 51   | Erweiterungskarte für den Kessel     | 6010153 |        |       |
| 52   | Trasformator Garraum Beleuchtung     | 6041099 |        |       |
| 53   | Wechselrichter für Motor             | 6010131 |        |       |
| 54   | Leistungsrelé                        | 6041008 |        |       |
| 55   | Trasformator 230V/12+12V AC          | 6041100 |        |       |
| 56   | Schmelzsicherung 10A                 | 6060111 |        |       |
| 57   | Schalterschütz                       | 6046033 |        |       |
| 58   | Sicherheitsthermostat                | 6010008 |        |       |
| 59   | Gebälse                              | 6033175 |        |       |

| POS. | E                                      | CODICE  | VALID. | SCAD. |
|------|--|---------|--------|-------|
| 1    | Motor para valvula                     | 6031013 |        |       |
| 2    | Sonda de temperatura                   | 6000093 |        |       |
| 3    | Enchufe para lavado de caldera         | 2022424 |        |       |
| 4    | Junta negra horno                      | 7070223 |        |       |
| 5    | Perno inferior para puerta             | 2015648 |        |       |
| 6    | Ducha retráctil                        | 7080051 |        |       |
| 7    | Mecanismo de bloqueo                   | 5900124 |        |       |
| 8    | Pata ajustable                         | 5900699 |        |       |
| 9    | Electroválvula para agua ablandada     | 6042103 |        |       |
| 10   | Inyector para tubo humidificador       | 6042095 |        |       |
| 11   | Inyector para caldera                  | 6042091 |        |       |
| 12   | Electroválvula para agua de la red     | 6042080 |        |       |
| 13   | Motor 3ph 0,55kW                       | 6033151 |        |       |
| 14   | Junta de eje                           | 7070151 |        |       |
| 15   | Ventilador horno 270x113               | 5901015 |        |       |
| 16   | Arandela motor                         | 2013134 |        |       |
| 17   | Tornillo para motor M12                | 2013133 |        |       |
| 18   | Tornillo para motor M6x55 UNI5739 inox | 5114014 |        |       |
| 19   | Resistencia 10000 W                    | 6002122 |        |       |
| 20   | Sonda control humedad                  | 6000111 |        |       |
| 21   | Electroválvula para drenaje de caldera | 6042077 |        |       |
| 22   | Caldera                                | 6003902 |        |       |
| 23   | Junta para caldera                     | 6090165 |        |       |
| 24   | Medidor di flujo                       | 6042122 |        |       |
| 25   | Inyector para sistema de lavado        | 6042087 |        |       |
| 27   | Electroválvula para drenaje del horno  | 6042073 |        |       |
| 28   | Bomba para sistema de lavado           | 6042120 |        |       |
| 29   | Bomba de limpiador                     | 6042124 |        |       |
| 30   | Junta tórica para difusor              | 6090160 |        |       |
| 31   | Difusor para sistema de lavado         | 2019791 |        |       |
| 32   | Cristal serigrafiado para horno        | 2024921 |        |       |
| 33   | cristal para portalámpara              | 2024940 |        |       |
| 34   | Portalámparas                          | 2024942 |        |       |
| 35   | Separador del vidrio                   | 2022543 |        |       |
| 36   | Puerta completa con cristal            | 2024926 |        |       |
| 37   | Tirador de la puerta                   | 2025009 |        |       |
| 38   | Tapón para la cuenca                   | 2012707 |        |       |
| 39   | Panel de poliéster serigrafiado        | 2024730 |        |       |
| 40   | Mando para encoder                     | 2024892 |        |       |
| 41   | Sonda interior                         | 6000120 |        |       |
| 42   | Filtro de aire                         | 2026075 |        |       |
| 43   | Tapa para conector                     | 6060029 |        |       |
| 44   | USB 2.0                                | 6060030 |        |       |
| 45   | conector para sonda interior           | 6000122 |        |       |
| 46   | Sensor magnético                       | 6042110 |        |       |
| 47   | Encoder push                           | 6010133 |        |       |
| 48   | Teclado de comando horno               | 6010159 |        |       |
| 50   | Placa base para horno                  | 6010151 |        |       |
| 51   | Placa de expansión para caldera        | 6010153 |        |       |
| 52   | Transformador luces cámara             | 6041099 |        |       |
| 53   | Inversor para motor                    | 6010131 |        |       |
| 54   | Relé de potencia                       | 6041008 |        |       |
| 55   | Transformador 230V/12+12V AC           | 6041100 |        |       |
| 56   | Fusible 10A                            | 6060111 |        |       |
| 57   | Contactador                            | 6046033 |        |       |
| 58   | Termostato de seguridad                | 6010008 |        |       |
| 59   | Ventilador                             | 6033175 |        |       |